

## Thin Hex Nuts

Steel / Stainless Steel

### SPECIFICATION

#### Version in Steel

- Property class **04**
- Blackened **BT**
- Zinc plated, blue passivated **ZB**

#### Version in Stainless Steel

- AISI 304 **NI**
- Property class **035**

### INFORMATION

Thin hex nuts ISO 4035 are used in bolted connections, e.g. as lock nuts to lock components and prevent accidental loosening, turning or shifting.

In addition, the nuts are also used together with indexing plungers, cam action indexing plungers, guide bushings or joint heads.

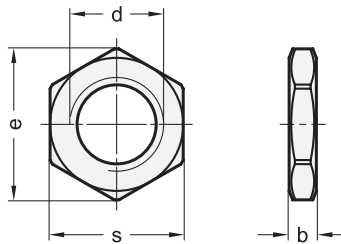
The flat design makes the hex nuts ideal for shorter threads. When mounting indexing plungers, they reduce the adjustment range only slightly, which may be of significance especially when using two lock nuts.

### ON REQUEST

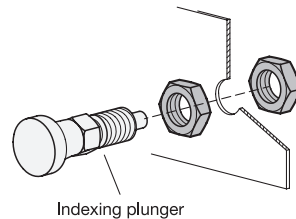
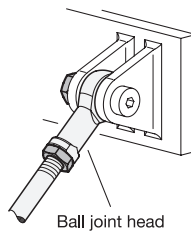
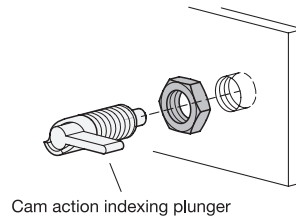
- Other threads

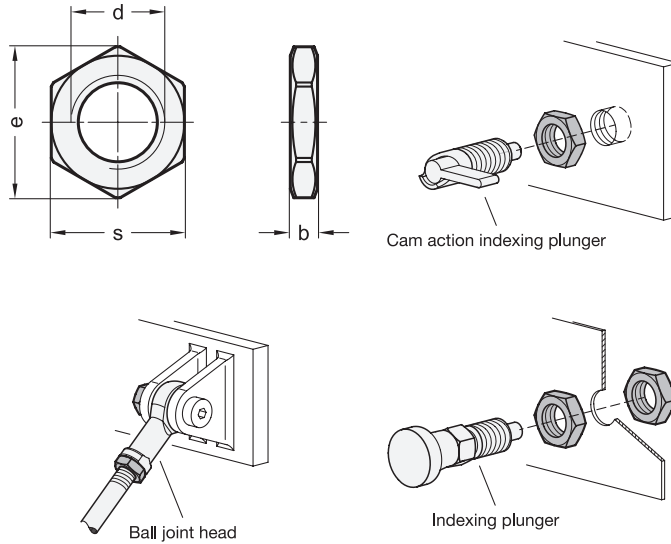
### TECHNICAL INFORMATION

- Stainless Steel Characteristics (see page A26)



### Application examples





ISO 4035-BT

Description	d	b	e	s	⚖
ISO 4035-M6-04-BT	M 6	3.2	11.1	10	2
ISO 4035-M8-04-BT	M 8	4	14.4	13	3
ISO 4035-M10-04-BT	M 10	5	17.8	16	5
ISO 4035-M12-04-BT	M 12	6	20.1	18	10
ISO 4035-M16-04-BT	M 16	8	26.8	24	17
ISO 4035-M20-04-BT	M 20	10	33	30	33

ISO 4035-ZB

Description	d	b	e	s	⚖
ISO 4035-M6-04-ZB	M 6	3.2	11.1	10	2
ISO 4035-M8-04-ZB	M 8	4	14.4	13	3
ISO 4035-M10-04-ZB	M 10	5	17.8	16	5
ISO 4035-M12-04-ZB	M 12	6	20.1	18	8
ISO 4035-M16-04-ZB	M 16	8	26.8	24	20
ISO 4035-M20-04-ZB	M 20	10	33	30	40

ISO 4035-NI

STAINLESS STEEL

Description	d	b	e	s	⚖
ISO 4035-M6-035-NI	M 6	3.2	11.1	10	1
ISO 4035-M8-035-NI	M 8	4	14.4	13	3
ISO 4035-M10-035-NI	M 10	5	17.8	16	5
ISO 4035-M12-035-NI	M 12	6	20.1	18	10
ISO 4035-M16-035-NI	M 16	8	26.8	24	18
ISO 4035-M20-035-NI	M 20	10	33	30	33

